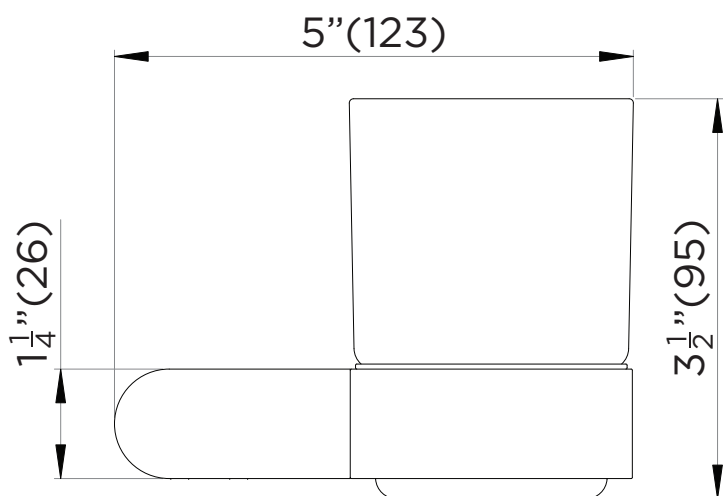
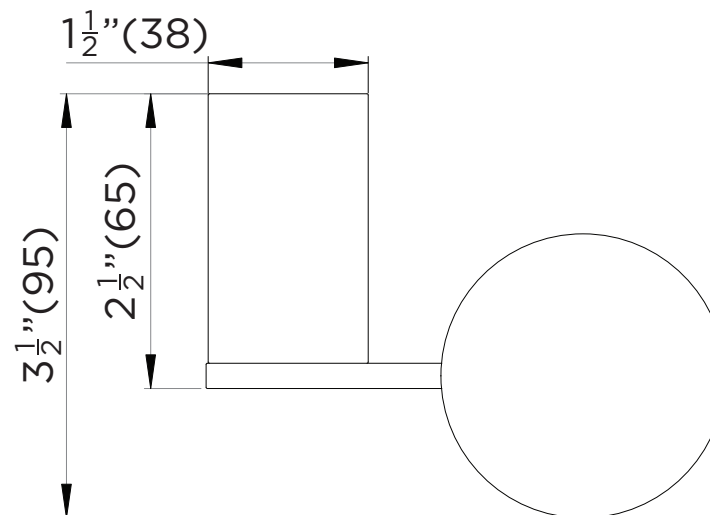


SPECIFICATIONS / TECHNICAL DATA

TOOTHBRUSH HOLDER



FRONT VIEW



TOP VIEW

ATTENTION! Dimensions may vary by up to 3/8". It is highly recommended to pull all dimensions of actual model for installation and measuring purposes.

MODEL# AC1TBH